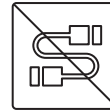
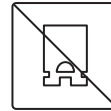
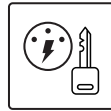


CFM-IGN100

CFM Module with Power Ignition Sensing Control Function,
12V/24V Voltage Detection Selectable



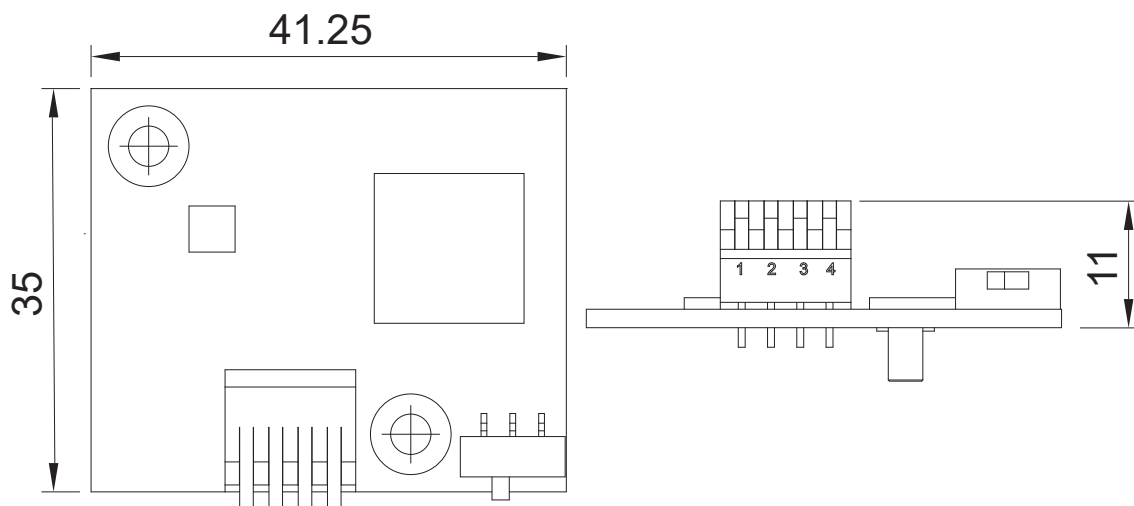
- CFM (Control Function Module) Technology
- Power Ignition Sensing Function
- Various Protection for In-vehicle Applications



Specifications

Interface	▪ CFM (Control Function Module) Interface
Function	▪ Power Ignition Sensing Function
Vehicle Battery Voltage	▪ 12V / 24V
Power-on Delay Duration	▪ 5 seconds
Power-off Delay Duration	▪ 0 to 2 hours, Support 7 Types of Power Delay-off Timer
Low Voltage Detection	▪ Yes
Dimension(W x D x H)	▪ 41.2 x 35 x 11 mm

Dimensions



Unit: mm

Ordering Information

Available Models

Model No.	Description
CFM-IGN100	CFM Module with Power Ignition Sensing Control Function, 12V/24V Selectable

Package Checklist

- CFM Module x1
- Screw Pack x1

Compatible List

Product Series	Product Model
P2000 Series	P2002 P2002E