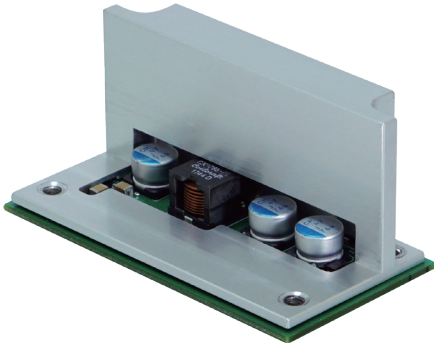
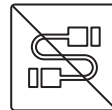
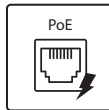


# CFM-PoE07

CFM Module with PoE Function, Individual Port 25.5W



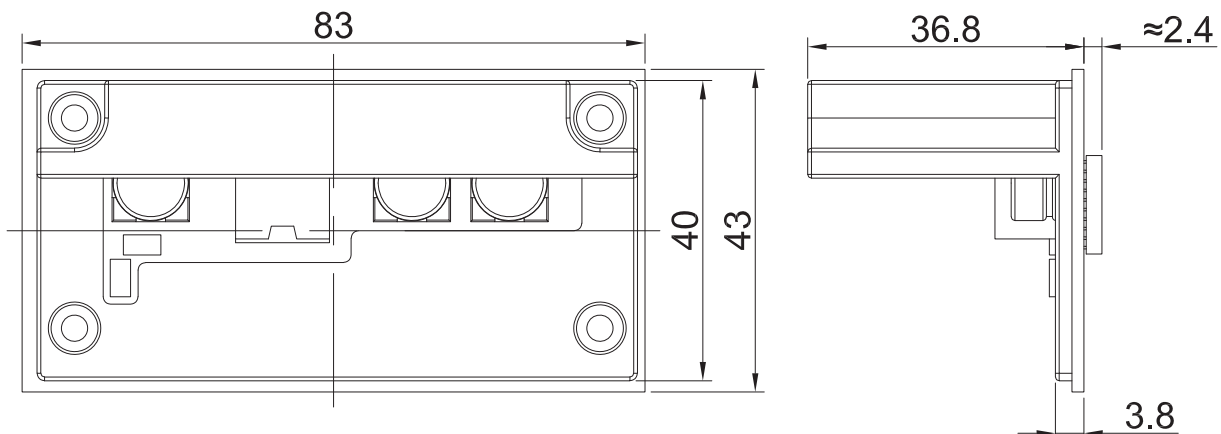
- CFM (Control Function Module) Technology
- Enable Power Over Ethernet Plus Function for CMI Module
- IEEE 802.3at Compliant
- Individual Port Support Up to 25.5W



## Specifications

Interface	▪ CFM (Control Function Module) Interface
Function	▪ 4x Power over Ethernet Plus Ports ( PoE+ )
Power over Ethernet Standard	▪ IEEE 802.3at Compliant
Power Output	▪ Individual port 25.5W
Power Boost	▪ 50 ~ 57V
Dimension( W x D x H )	▪ 83 x 43 x 36.8 mm (With Heatsink)

## Dimensions



Unit: mm

## Ordering Information

### Available Models

Model No.	Description
CFM-PoE07-R10	CFM Module with PoE Function, Individual Port 25.5W

### Package Checklist

• Control Function Module x1	• Heatsink x1
• Thermal Pad Pack x1	• Screw Pack x1

## Compatible List

Product Series	Product Model
GP Series	GP-3000 GP-3100