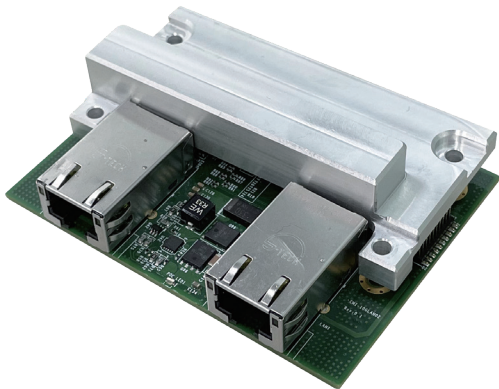


CMI-10GLAN02

CMI Module with 2x Intel 10GbE LAN, RJ45 Port



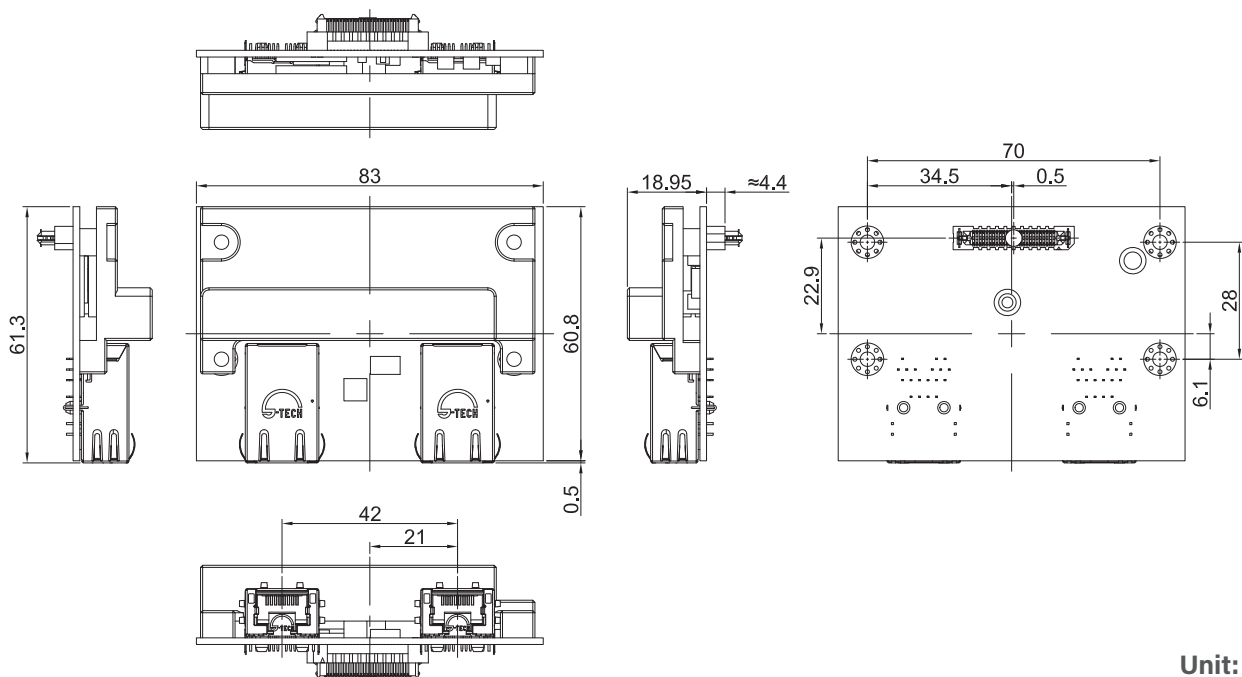
- CMI (Combined Multiple I/O) Technology
- Intel Ethernet Controller X550-AT2
- Support 10GbE Data Rate



Specifications

Interface	CMI (Combined Multiple I/O) Interface
Ethernet Port	2 x Intel® X550-AT2 Ethernet Ports
Connector Type	RJ45
Data Rate Per Port	10/5/2.5/1GbE
Jumbo Frames Supported	Yes
Teaming Supported	Yes
Dimension (W x D x H)	83 x 61.3 x 18.95 mm

Dimensions



Unit: mm

Ordering Information

Available Models

CMI-10GLAN02-R10 CMI Module with 2x Intel 10GbE LAN, RJ45 Port (83 x 61.3 x 18.95 mm)

Package Check List

- CMI Module x1
- Heatsink x1
- Thermal Pad Pack x1
- Screw Pack x1

Compatible List

Model No.	CMI-10GLAN02
GP Series	V