

CMI-10GLAN03

CMI Module with 2x Intel 10GbE LAN, RJ45 Port



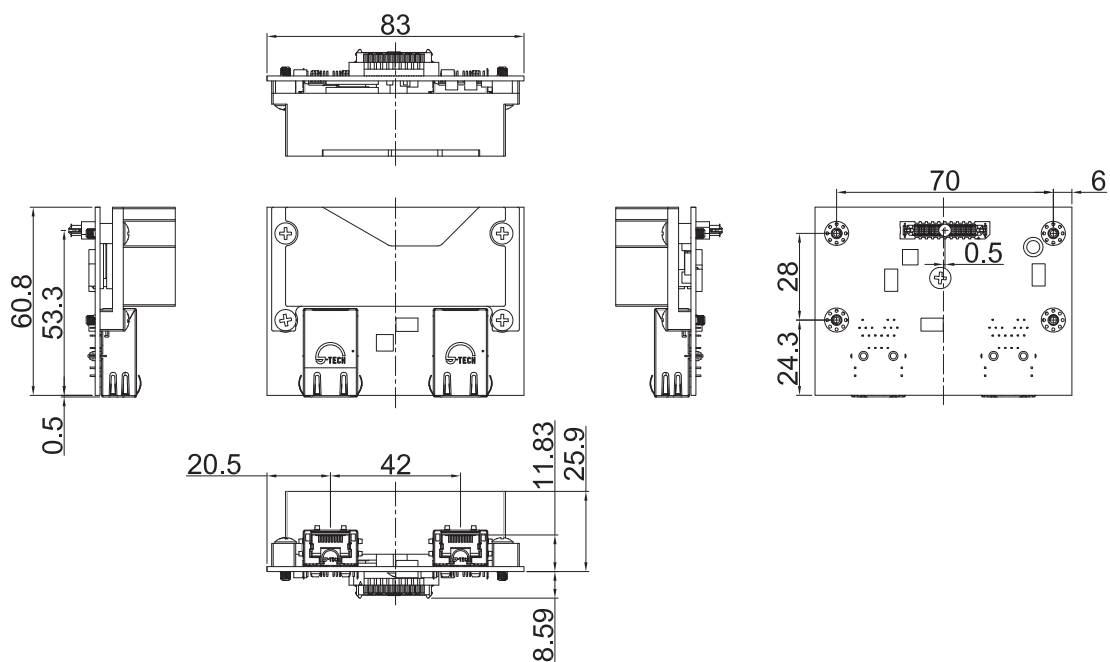
- CMI (Combined Multiple I/O) Technology
- Intel Ethernet Controller X550-AT2
- Support 10GbE Data Rate



Specifications

| | |
|-------------------------|---------------------------------------|
| Interface | CMI (Combined Multiple I/O) Interface |
| Ethernet Port | 2 x Intel® X550-AT2 Ethernet Ports |
| Connector Type | RJ45 |
| Data Rate Per Port | 10/5/2.5/1GbE |
| Jumbo Frames Supported | Yes |
| Teaming Supported | Yes |
| Dimension (W x D x H) | 83 x 60.8 x 25.9 mm |

Dimensions



Unit: mm

Ordering Information

Available Models

CMI-10GLAN03-R10 CMI Module with 2x Intel 10GbE LAN, RJ45 Port (83 x 60.8 x 25.9 mm)

Package Check List

- CMI Module x1
- Heatsink x1
- Thermal Pad Pack x1
- Screw Pack x1

Compatible List

| Model No. | CMI-10GLAN03 |
|-----------|--------------|
| DS-1300 | V |
| DS-1301 | V |
| DS-1302 | V |
| DS-1400 | V |
| DS-1401 | V |
| DS-1402 | V |