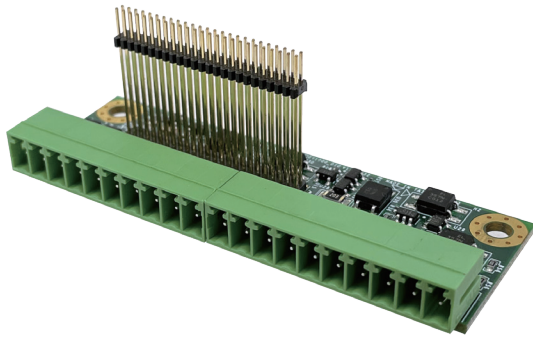
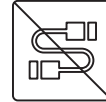
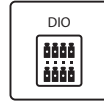


# CMI-DIO06

CMI Module with 16x Optical Isolated DIO (8 in / 8 out)



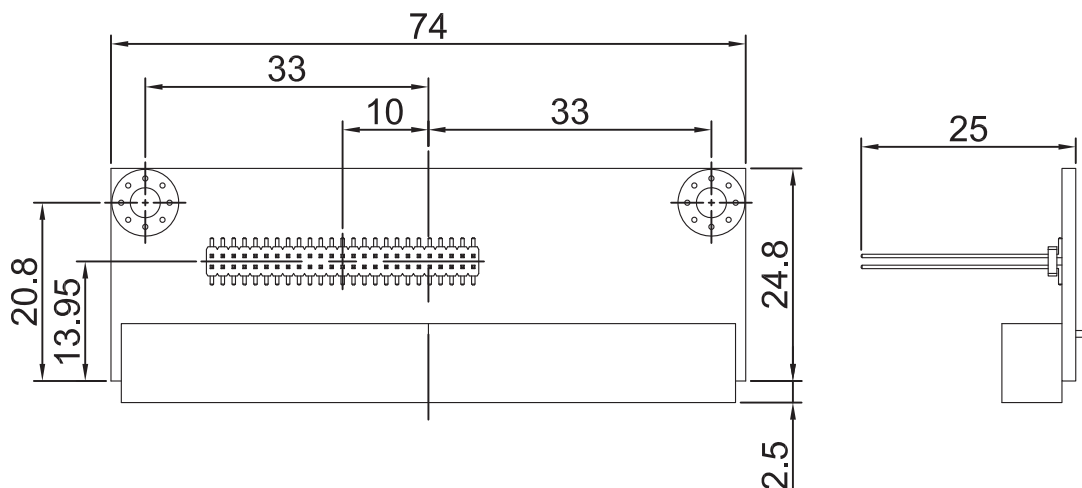
- CMI (Combined Multiple I/O) Technology
- Optical Isolated Design
- Wide Range DC Power Input



## Specifications

Interface	CMI (Combined Multiple I/O) Interface
Digital I/O Port	16x Optical Isolated DIO (8DI, 8DO)
Connector Type	2x 10-pin Terminal Block, 3.5mm pitch
Optical Isolated DIO	3.75kV
Isolated Power Input	9 ~ 30VDC
Input Driving Sink Current	Minimal: 1 mA Normal: 5 mA
Dimension ( W x D x H )	74 x 27.3 x 25 mm

## Dimensions



Unit: mm

## Ordering Information

### Available Models

<b>CMI-DIO06-R10</b>	CMI Module with 16DIO (8in 8out)
----------------------	----------------------------------

### Package Check List

- CMI Module x1
- Terminal Block Pack x1
- Screw Pack x1

## Compatible List

Model No.	CMI-DIO06
DV-1000	V
DV-1100	V