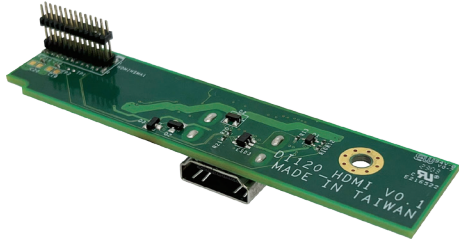


CMI-HD04

CMI Module with 1x HDMI Port



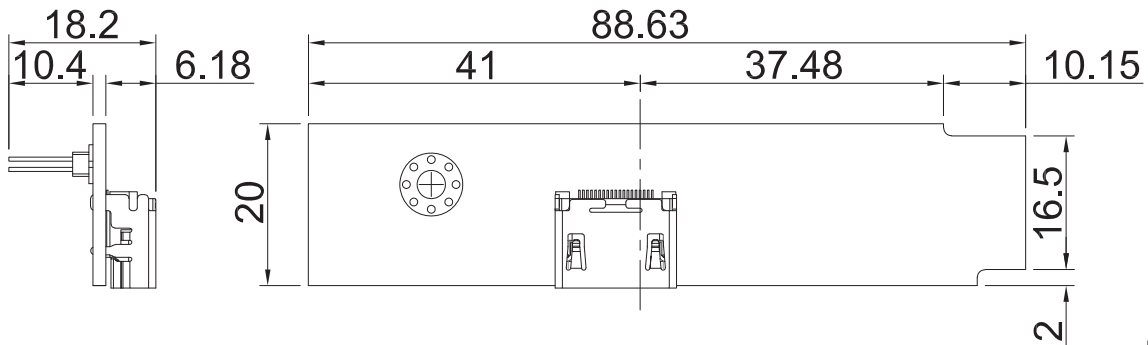
- CMI (Combined Multiple I/O) Technology
- High-resolution support up to 4k x 2k
- Rugged Design Features: Cableless



Specifications

Interface	• CMI (Combined Multiple I/O) Interface
Display Output	• 1x HDMI Connector
Max. Resolution	• 3840 x 2160 @60Hz
Dimension (W x D x H)	• 88.63 x 20 x 18.2 mm

Dimensions



Unit: mm

Ordering Information

Available Models

Model No.	Description
CMI-HD04	CMI Module with 1x HDMI Port

Package Checklist

• CMI Module x1

• Screw Pack x1

Compatible List

Model No.	Product Model
DI Series	DI-1200