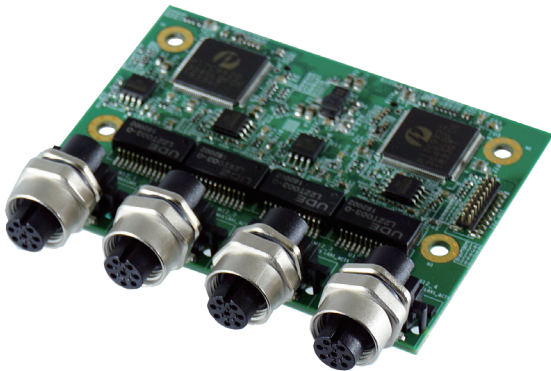
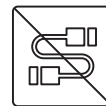
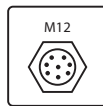


CMI-M12LAN01

CMI Module with 4x Intel GbE LAN, M12 A Coded Connector



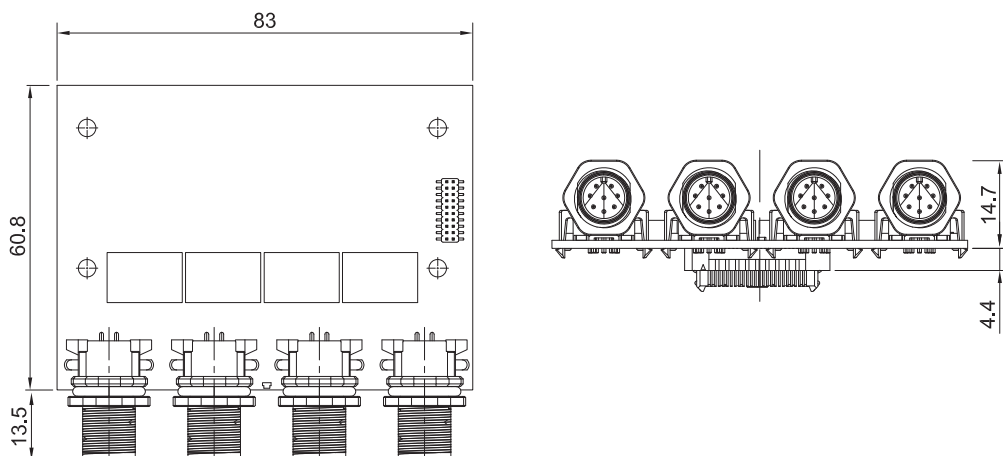
- CMI (Combined Multiple I/O) Technology
- Intel Ethernet Controller I210
- 4x GbE LAN, M12 A Coded Connector
- Support Up to 1GbE Data Rate



Specifications

| | |
|-------------------------|---------------------------------------|
| Interface | CMI (Combined Multiple I/O) Interface |
| Ethernet Port | 4x Intel® I210 Ethernet Ports |
| Connector Type | M12 A Coded |
| Data Rate Per Port | 10/ 100/ 1000 Mbps |
| Jumbo Frames Supported | Yes |
| Teaming Supported | Yes |
| Dimension (W x D x H) | 83 x 60.8 x 14.7 mm |

Dimensions



Unit: mm

Ordering Information

Available Models

CMI-M12LAN01-R12 CMI Module with 4x Intel GbE LAN, M12 A Coded Connector

Package Check List

- CMI Module x1
- Screw Pack x1

Compatible List

| Model No. | CMI-M12LAN01 |
|-----------|--------------|
| DS-1100 | V |
| DS-1101 | V |
| DS-1102 | V |
| DS-1200 | V |
| DS-1201 | V |
| DS-1202 | V |
| DS-1300 | V |
| DS-1301 | V |
| DS-1302 | V |
| DS-1400 | V |
| DS-1401 | V |
| DS-1402 | V |
| DX-1000 | V |
| DX-1100 | V |
| DX-1200 | V |
| DI-1000 | V |
| DI-1100 | V |
| DI-1200 | V |
| GM-1000 | V |
| GM-1100 | V |
| GP-3000 | V |
| GP-3100 | V |