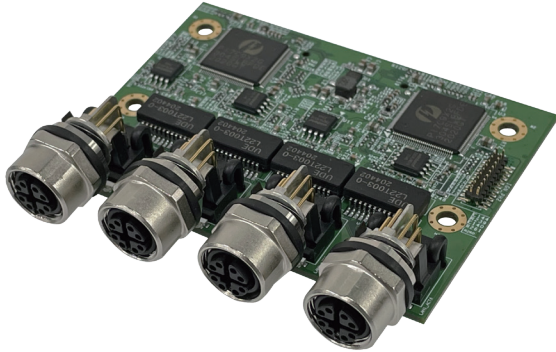
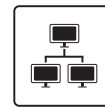
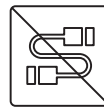
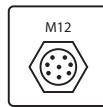


CMI-XM12LAN01

CMI Module with 4x Intel GbE LAN, M12 X-Coded Connector



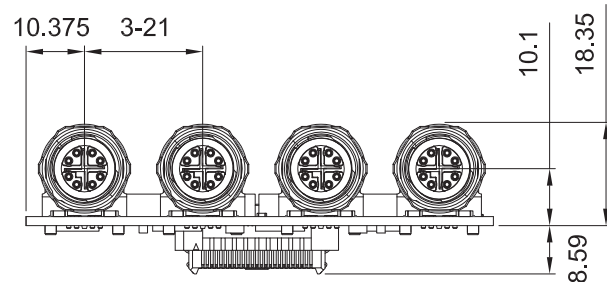
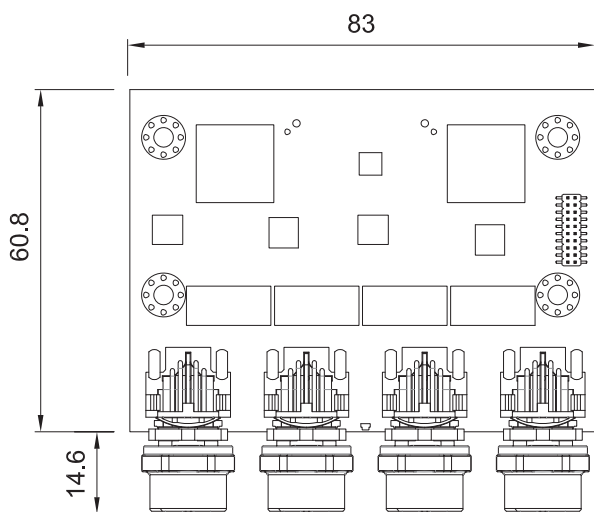
- CMI (Combined Multiple I/O) Technology
- Intel® I210 Gigabit Ethernet controller
- M12 X-Coded Connector
- Support PoE Function Through Optional CFM Module



Specifications

Interface	CMI (Combine Multiple I/O) Interface
Ethernet Port	4x Intel® I210 Ethernet Ports, Support Wake on LAN, Teaming, 9.5KB Jumbo Frame
Connector Type	M12 X-Coded Connectors
Transmission Rate	10 / 100 / 1000 Mbps
Expansion	1x CFM Interface for PoE Function
Dimension (W x D x H)	83 x 60.8 x 18.35 mm

Dimensions



Unit: mm

Ordering Information

Available Models

CMI-XM12LAN01-R10 CMI Module with 4x Intel GbE LAN, M12 X-Coded Connector

Optional Accessories

CFM-PoE01 CFM Module with PoE Control Function, Individual Port 25.5W (for DX & GM & GP Series)

CFM-PoE03 CFM Module with PoE Control Function, Individual Port 25.5W (for DS Series)

CFM-PoE06-R10 CFM Module with PoE Control Function, Individual Port 25.5W (for DI-1100)

CFM-PoE07-R10 CFM Module with PoE Function, Individual Port 25.5W (for GP-3000)

Compatible List

Model No.	CMI-XM12LAN01
DS-1400 / DS-1401 / DS-1402	V
DS-1300 / DS-1301 / DS-1302	V
DS-1200 / DS-1201 / DS-1202	V
DS-1100 / DS-1101 / DS-1102	V
DI-1100 / DI-1200	V
DX-1000 / DX-1100 / DX-1200	V
GM-1000 / GM-1100	V
GP-3000 / GP-3100	V