

1000nit High brightness



IP67



CANBus



MIL-STD-810G



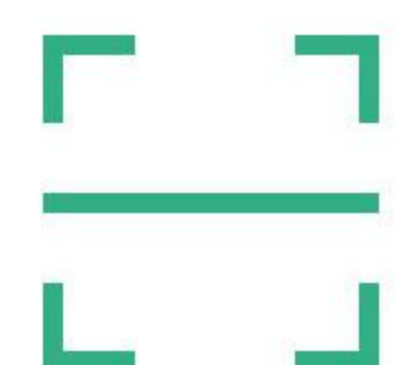
Real-time tracking



Battery replaceable



Fingerprint



1D/2D scan



Specifications

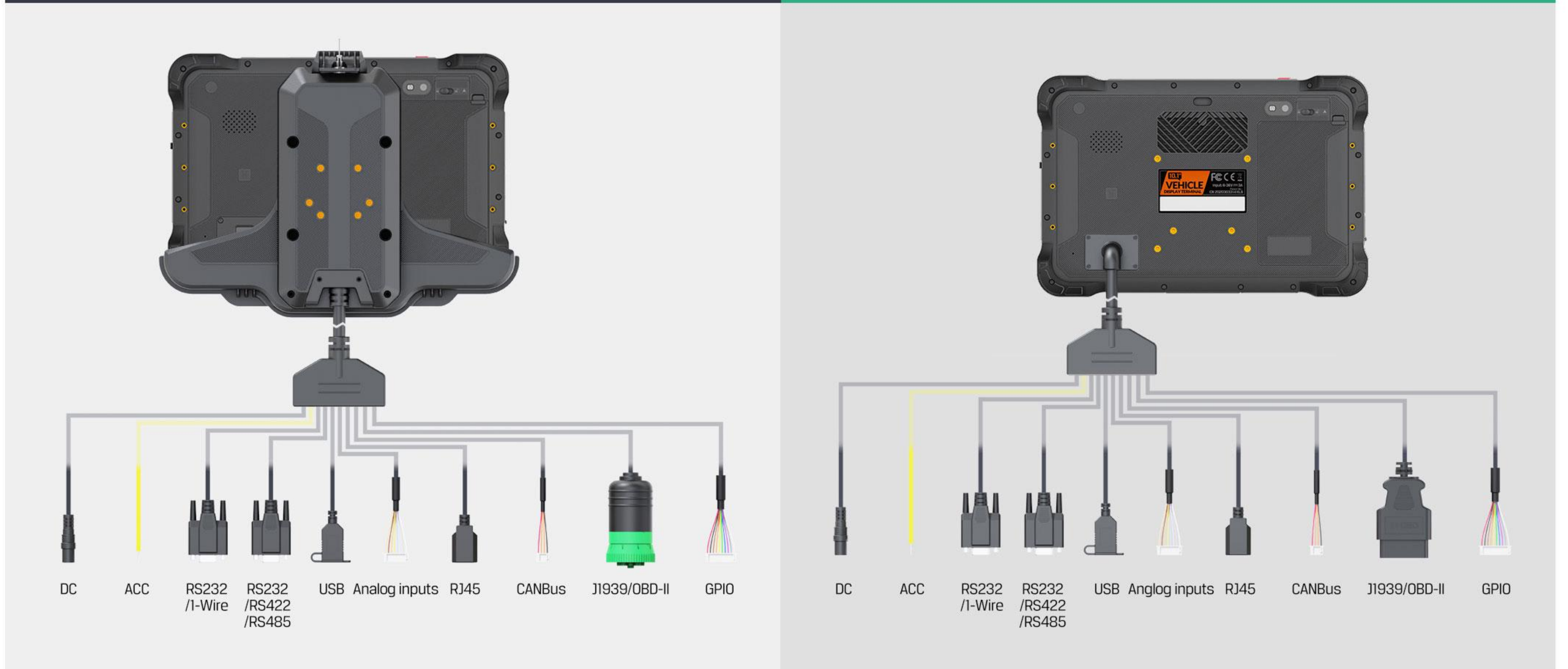
	ORT-10	ORT-10 Pro
CPU	Qualcomm Cortex-A7 32-bit Quad-core processor, 1.1GHz	Qualcomm Cortex-A53 64-bit Octa-core Processor, 1.8G
GPU	Adreno 304	Adreno 506
Operating System	Android 7.1.2	Android 9.0
RAM	2 GB LPDDR3	2 GB LPDDR3(Default) / 4GB(Optional)
Storage	16 GB eMMC	16 GB eMMC (Default) / 64GB(Optional)
Storage Expansion	Micro SD 64 GB	Micro SD 128 GB
LCD	10 inch HD (1280 x 800), 1000cd/m ² high brightness, sunlight readable	
Touchscreen	Multi touch capacitive touchscreen supporting glove and rain mode	
Camera (optional)		Front: 5 MP
	Rear: 8 MP with LED light	Rear: 16 MP with LED light
Bluetooth	4.2 BLE	
WLAN	IEEE 802.11 a/b/g/n, 2.4GHz/5GHz	IEEE 802.11 a/b/g/n/ac, 2.4GHz/5GHz
Mobile Broadband	LTE, HSPA+, UMTS, EDGE, GPRS, GSM (Data and Voice)	
GNSS	GPS/GLONASS	
NFC (optional)	Read / Write Mode: ISO / IEC 14443 A&B up to 848 kbit/s, FeliCa at 212 & 424 kbit/s	
	MIFARE 1K, 4K, NFC Forum type 1,2,3,4,5 tags, ISO/IEC 15693 All peer-to-peer modes	
	Card Emulation Mode(from host): NFC Forum T4T (ISO/IEC 14443 A&B) at 106 kbit/s	Card Emulation Mode(from host): NFC Forum T4T (ISO/IEC 14443 A&B) at 106 kbit/s T3T FeliCa
Sound	Build-in speaker 2W, 85dB	
	Internal microphones	
Interfaces	Type-C, USB 2.0 (For data transfer.support OTG)	Type-C, Compliant with USB 3.0 (For data transfer.support OTG)
	Docking connector x1 (Pogo pin x24)	
	Headset jack	
1D/2D scanner (optional)	All major 1D barcodes, PDF417, QR code M1/M2/Micro and Data matrix etc	
Fingerprint Reader (optional)	Capacitive, Area sensor	
Sensors	Acceleration sensors, Ambient light sensor, Gyroscope, Compass	
Power	DC8-36V (ISO 7637-II compliant)	
	Battery: 3.7V, 8000mAh Li-ion (Replaceable)	
	Battery operating time: about 5 hours (Typical)	Battery operating time: about 4.5 hours (Typical)
	Battery charging time: about 4.5 hours	
Physical Dimensions	277 x 185 x 31.6mm	
Weight	1316g (2.90lb)	1357(2.99lb)
Environment	Gravity drop resistance test: 150cm	
	Vibration test: MIL-STD-810G	
	Dust resistance test: IP6x	
	Water resistance test: IPx7	
	Operating temperature: -10° C ~ 65° C (14° F ~ 149° F) / 0° C ~ 55° C (32° F ~ 131° F) (charging)	
	Storage temperature: -20° C ~ 70° C (-4° F ~ 158° F)	



Interface

Docking Station

All in one Cable



	Docking Station	All in one Cable
USB2.0(Type-A)	x1	x1
RS232	x2	x2
Docking Station Status	x1	x1
ACC	x1	x1
power	x1	x1
CANBUS	CAN 2.0b (optional)	CAN 2.0b (optional)
	J1939 (optional)	J1939 (optional)
	OBD-II (optional)	OBD-II (optional)
GPIO (Positive Trigger input)	Input x2, Output x2 (Default)	Input x2, Output x2 (Default)
	GPIO x6 (optional)	GPIO x6 (optional)
Anglog Inputs	x3 (optional)	x3 (optional)
1-wire	optional	optional
RJ45	optional	optional
RS485	optional	optional
RS422	optional	optional



Docking Station



SECURITY LOCK



1.912 RAM MOUNT



VESA 75MM



RICH INTERFACES



POGO PINS



STRONG AND STABLE

Accessories



- Allen wrench
- Screws for RAM



USB to Type-C cable



Power adaptor



J1939 female to open wire



OBD-II female to open wire



RAM-101U

RAM 1.5" Double Ball Mount with Backing Plate

Optional