

SHARK 10.1" Box PC

10.1" IP67 Waterproof Fanless Embedded Computer
with Intel® Atom™ Bay Trail Processor



Features:

- Intel® Atom™ Bay Trail J1900 / E3825 / E3845 SoC
- DDR3L 2GB / 4GB on board
- M12 IO connectors
- Aluminum housing



Specifications :

Motherboard	2I385HW	
CPU	Intel® Atom™ Bay Trail J1900 / E3825 / E3845	
Chipset	Intel Bay Trail SoC	
Memory	DDR3L 2GB / 4GB	
Storage	mSATA, HDD / SSD*	
Expansion slots	1 x Full-size Mini PCIe (PCIe / USB / mSATA) 1 x Half-size Mini PCIe (USB / mSATA)	
M12 I/O ports (Selectable)	Network	2 x Intel GbE
	USB	4 x USB 2.0, 1 x USB 3.0
	Serial ports	4 x RS232
	Display	1 x VGA
Optional Modules & Function	GPS, Bluetooth, PoE, WiFi, 4G LTE, Isolated COM, battery UPS *SATA Kit, *VESA Mount Kit, * External power adapter	
Certification	CE / FCC	
OS Support	Windows® 10 IOT (64bit), Windows® 8.1 (64bit), Windows® Embedded 8 Standard (64bit), Windows® 7 (32 / 64bit), Windows® Embedded Sta 7 (32 / 64bit), Ubuntu 14.10 above, Fedora 25 above, Debian 8 above, CentOS 7.3 above, Mint 18.1 above	

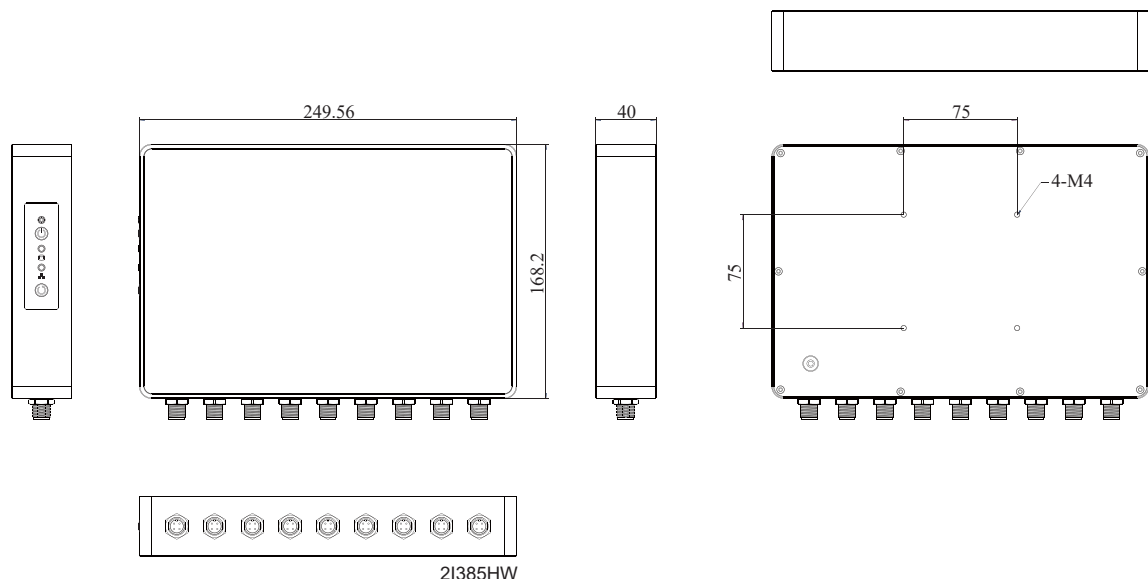
Mechanical

Dimensions	249.56 W x 168.2 D x 40H mm
Weight	2.5 kg
Mounting	VESA mount (optional)
Power	
DC input	+9~36V ; (Optional +12V)
AC input	External adapter 100 / 240V, AC-DC (optional)

Environment

Operating Temp. (100 % CPU usage)	-20°C to +60°C with mSATA / SSD 0°C to +50°C with HDD
Storage Temp.	-20°C to +70°C
Relative Humidity	95% @ 40°C, non-condensing
IP Rating	IP66 / IP67 Compliant

Dimension



Specification are subject to change without prior notice. ODM / OEM is available.