

SHARK 10.1" Box PC

10.1" IP67 Waterproof Fanless Embedded Computer with Intel® 6th / 7th Gen Intel® Skylake / Kaby Lake-U, i7 / i5 / i3 / Celeron CPU



Features:

- Intel® Skylake / Kaby Lake-U, i7 / i5 / i3 / Celeron CPU
- 2 x DDR4 1866 / 2133 MHz SODIMM, Max. 64GB
- M12 IO connectors
- Aluminum housing



Specifications :

Motherboard	3i610HW / BW	
CPU	Intel® Skylake / Kaby Lake-U, i7 / i5 / i3 / Celeron CPU	
Chipset	Intel Skylake / Kaby Lake-U SoC	
Memory	2 x DDR4 SODIMM, Max. 64GB	
Storage	mSATA, HDD / SSD*	
Expansion slots	1 x Full-size Mini PCIe (PCIe / USB / mSATA) 1 x Full-size Mini PCIe (PCIe / USB)	
M12 I/O ports (Selectable)	Network	3 x Intel GbE
	USB	4 x USB 2.0, 2 x USB 3.0
	Serial ports	6 x RS232 / 422 / 485
	Display	1 x VGA, HDMI
Optional Modules & Function	GPS, Bluetooth, PoE, WiFi, 4G LTE, Isolated COM, battery UPS *SATA Kit, *VESA Mount Kit, *External power adapter	
Certification	CE / FCC	
OS Support	7th Generation Intel® Core™ Processor family: Kaby Lake Windows® 10 IOT (64bit), Ubuntu 16.04.3 above, Fedora 26 above, CentOS 7.4 above 6th Generation Intel® Core™ Processor family: Skylake Windows® 10 IOT (64bit) Windows® 8.1 (64bit) Windows® Embedded 8 Standard (64bit) Windows® 7 (64bit) Windows® Embedded Sta 7 (64bit) Ubuntu 16.04.3 above, Fedora 26 above, CentOS 7.4 above	

Mechanical

Dimensions	249.56W x 168.2D x 40H mm
Weight	2 kg
Mounting	VESA mount (optional)

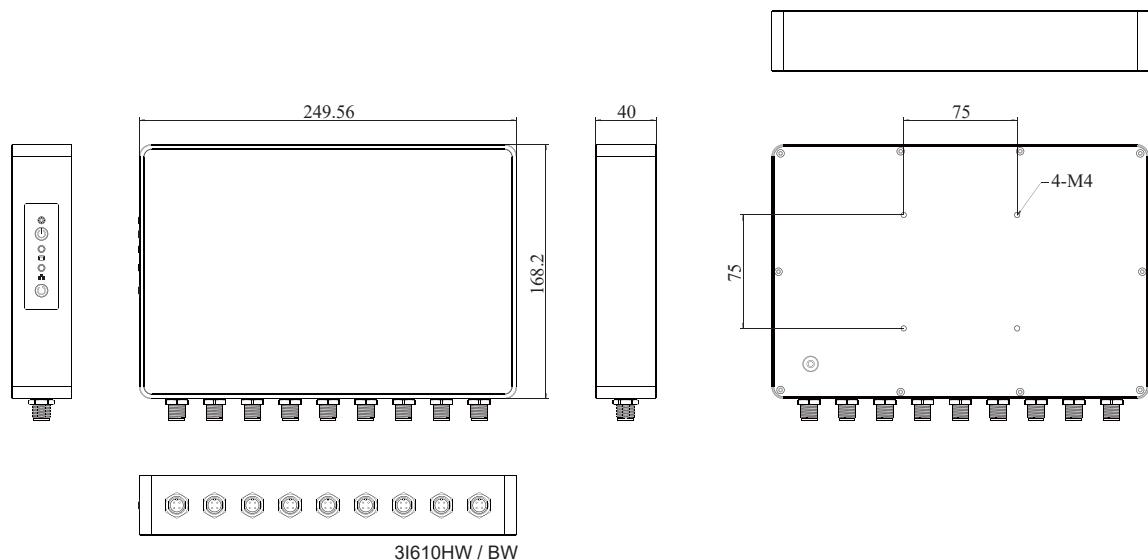
Power

DC input	+9~36V ; Battery Charger function (3i610BW)
AC input	External adapter 100 / 240V, AC-DC (optional)

Environment

Operating Temp. (100 % CPU usage)	-20°C to +50°C with mSATA / SSD
Storage Temp.	-20°C to +70°C
Relative Humidity	95% @ 40°C, non-condensing
IP Rating	IP66 / IP67 Compliant

Dimension



Specification are subject to change without prior notice. ODM / OEM is available.