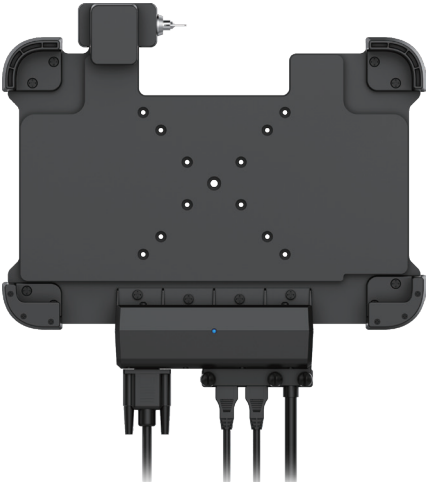


10-inch car holder instruction



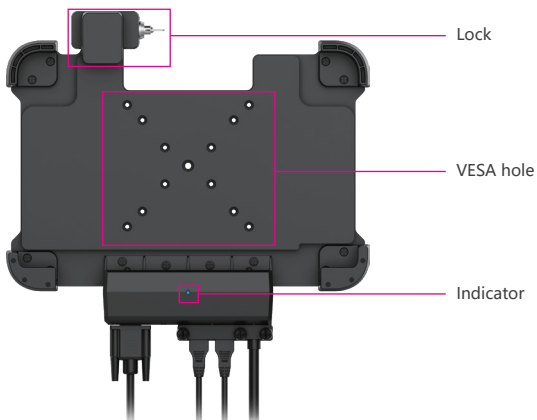
Contents

I . Product Introduction	
1. Appearance description	
2. Indicator light description	
II. Instruction for use	
1. Installation	
2. Charging	
3. Expansion interface	
4. Accessories and use	
III. Accessories and use	

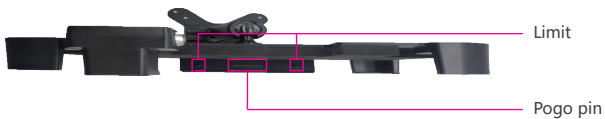
I . Product Introduction

1. Appearance description

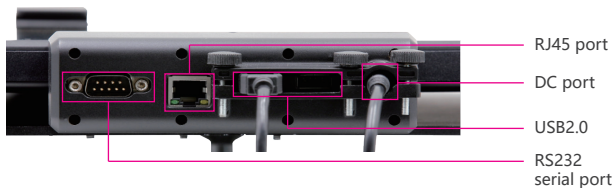
Front view:



Top view:



Bottom view:



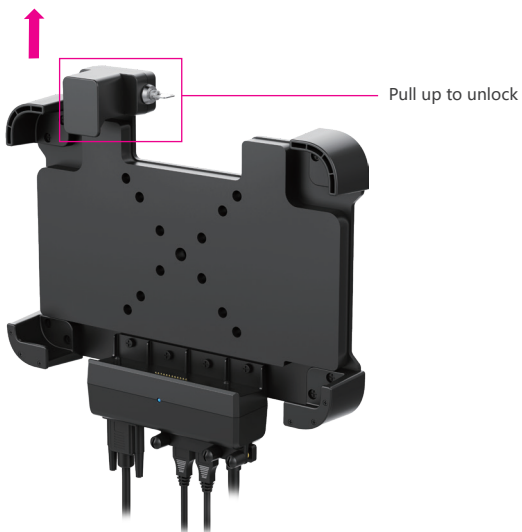
2. Indicator light description

Green power indicator. Place the tablet correctly, connect to the DC power, and the indicator light will light up.

II. Instruction for use

1. Installation

1.1 Unlock with the key and pull up the buckle.



1.2 Place the tablet, pull down the buckle, and lock it.



2. Charging

ORT-G10H/A use two different kind of PCB.

To charge the ORT-G10H/A tablets, use the ORT-G10H/A car holder with a 5V/3A adapter.

To charge the ORT-G10H/A tablets, use the ORT-G10H/A car holder with a 12V/4A adapter.

3. Expansion interface

The car holder has 5 ports: 1 DC power port, 2 USB2.0 port, 1 RJ45 network port and 1 RS232 serial port.

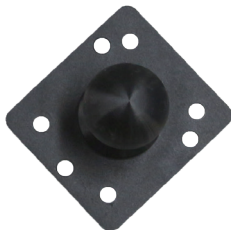
USB2.0, RJ45 and RS232 can work only when the DC power supply is connected.

4. Accessories and use

4.1 Big ball head



4.2 Small ball head



4.3 Long bracket



4.4 Short bracket



4.5 Clip-on base



4.6 Instructions for use



ORT-G10H/A



Big ball head

select one of two



Small ball head



Long bracket

select one of two



Short bracket



Clip-on base

select one of two



Big ball head

III. Dimensional drawing

