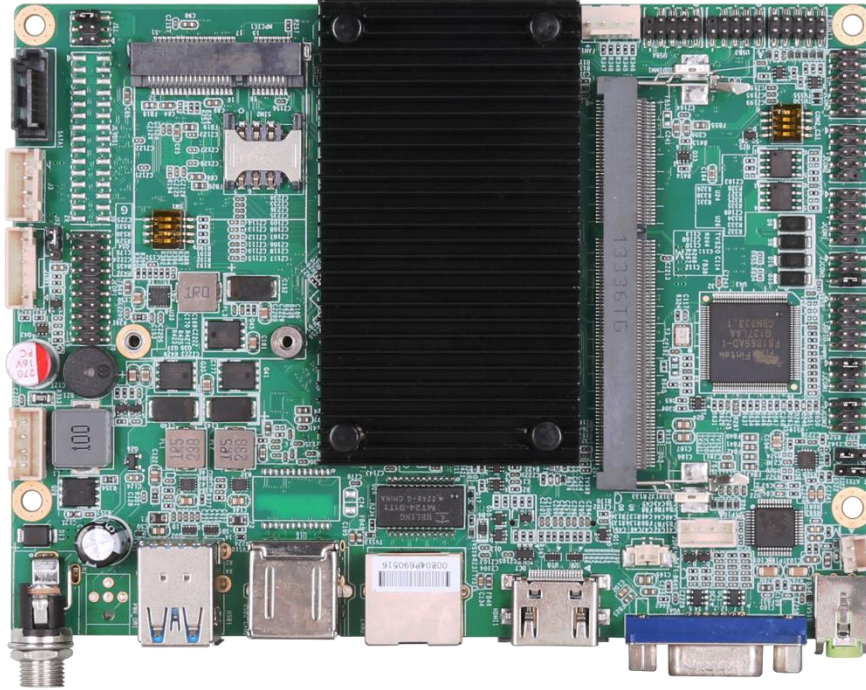


## OVIS MOTHERBOARD SERIES

### OVMB-X86-J19



## Product Optional Parts Introduction:

- 1.OVMB-X86-J19 has two versions, with single net port or dual net port, both versions have dual gigabit internet.
- 2.OVMB-X86-J19 has two versions with different display type(LVDS/EDP).
- 3.WIFI/4G module is optional.
- 4.LCD screen/touch screen and related cables are optional.
- 5.I/O interface cables are optional.

# CATALOGUE

<b>CONTENT</b> .....	- 3 -
<b>Chapter 1 Product Introduction</b> .....	- 4 -
1.1 Motherboard Ports .....	- 6 -
1.2 Motherboard Drawing .....	- 7 -
<b>Chapter 2. Pin Definition</b> .....	- 8 -
2.1 Port Pin Definitions .....	- 8 -
2.1.1 MIC .....	- 8 -
2.1.2 Speaker .....	- 8 -
2.1.3 GPIO Port .....	- 8 -
2.1.4 GPIO Power Selection .....	- 8 -
2.1.5 AT/ATX Selection .....	- 9 -
2.1.6 RS232/RS422/RS485 Switchable Port .....	- 9 -
2.1.7 JCOM(Full Duplex RS232) .....	- 10 -
2.1.8 JCOM3 RS232 .....	- 10 -
2.1.9 FRONT Jumper .....	- 10 -
2.1.10 USB .....	- 11 -
2.1.11 FAN .....	- 11 -
2.1.12 LVDS Power Selection .....	- 11 -
2.3.13 LVDS Port .....	- 11 -
2.1.14 EDP .....	- 13 -
2.1.15 SATA POWER .....	- 13 -
2.1.16 Backlight .....	- 13 -
2.1.17 Power Supply .....	- 14 -
2.1.18 JJCOM1 (Jumper Cap Chooses JCOM1 Pin9 Functions) .....	- 14 -
2.1.19 JJCOM3 (Jumper Cap Chooses JCOM3 Pin9 Functions) .....	- 15 -

## Chapter 1 Product Introduction

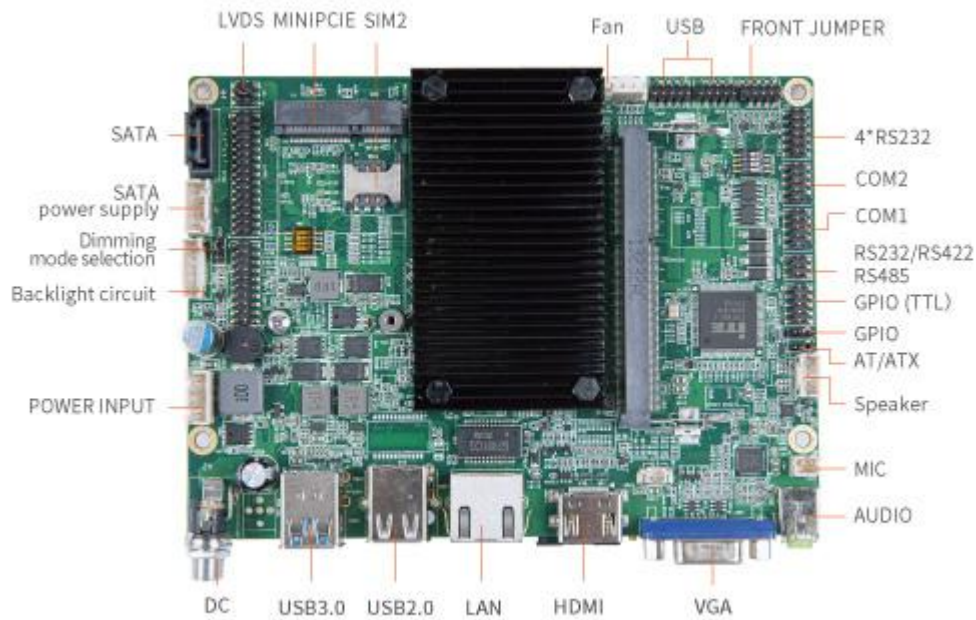
Components		Parameter/Specification
<b>CPU</b>		Intel® Celeron® J1900, Base frequency:2.3GHZ 1.99G, Quad-core, TDP 10W
<b>Chipset</b>		Intel Bay trail SOC
<b>Memory</b>		Support DDR3 1333/1600 low voltage 1.35V, Maximum 8GB
<b>SATA</b>		1 * SATA2.0 + 1 * mSATA, up to 3.0 Gbps data speed
<b>FAN</b>		No fan(silence purpose)
<b>OS Support</b>		Windows7 Professional Edition/Windows7 Ultimate Edition/Windows10 Professional Edition/Windows10 Enterprise Edition/Windows10 Home Edition
		Ubuntu16.04.7/Ubuntu18.04.5/Ubuntu18.04.6/Ubuntu20.04.1
		Centos7.4/Centos7.8/Redhat7.4/Debian7.0
<b>Display</b>	<b>LVDS</b>	Supported
	<b>EDP</b>	Supported(diff-version)
	<b>VGA</b>	Resolution up to 1920*1200@60HZ
	<b>HDMI</b>	1080P@120Hz,4kx2k@60Hz
<b>I/O</b>	<b>USB2.0</b>	6*(External port*2,internal port*4)
	<b>USB3.0</b>	2*External port
	<b>GPIO</b>	Eight I/O Pins
	<b>232</b>	6*(a RS232/RS422/RS485 switchable port)
	<b>422</b>	1* RS232/RS422/RS485 switchable port

	<b>485</b>	1* RS232/RS422/RS485 switchable port
<b>Internet</b>	<b>WIFI,BT</b>	1*Mini-PCIE port,WiFi module optional
	<b>3G/4G</b>	1*Mini-PCIE port,4G module optional
	<b>Ethernet</b>	1 * Realtek PCI-E NIC RTL8111H for 1000Mbps(dual gigabit internet optional)
<b>Audio</b>		1*MIC MIC input supported
		1*SPK 8Ω5W dual-channel output
		1*AUDIO audio output supported
<b>Timing Turn on/off</b>		Supported (Automatic boot when power connected)
<b>Power Supply</b>		5525 screw with wild range power input(12V~36V)
<b>ESD</b>		4KV contacted,8KV air
<b>Dimensions</b>		150*110mm*27mm
<b>Environment</b>		Operating temperature:-20℃~60℃; Operating humidity:5%~95%

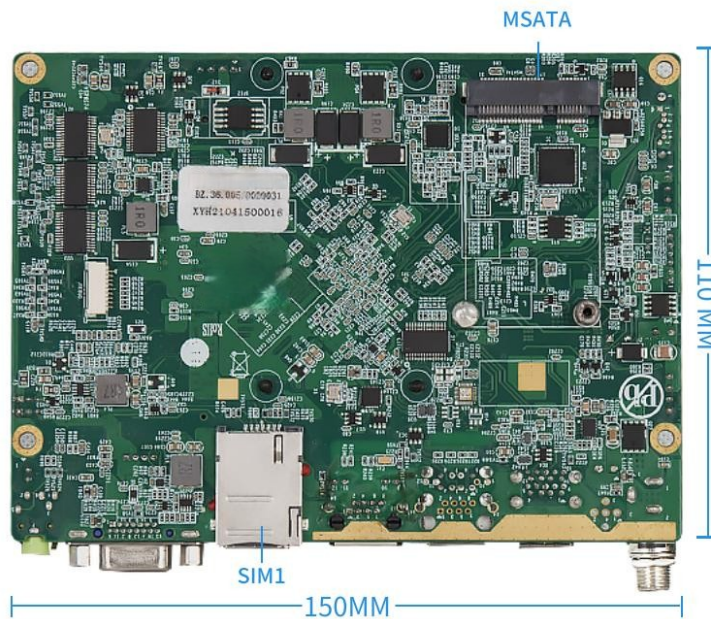


## 1.1 Motherboard Ports(for reference only, subject to the actual sample)

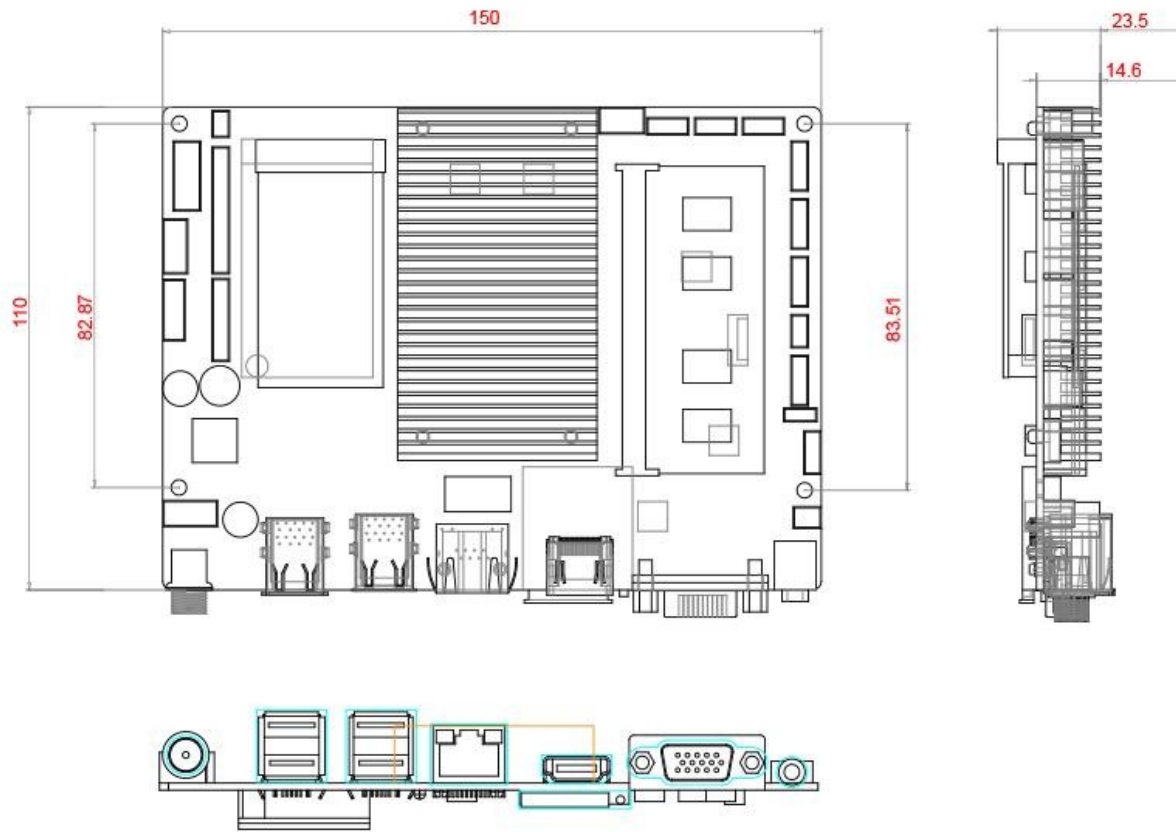
【Front】



【Back】



## 1.2 Motherboard Drawing



## Chapter 2. Pin Definition

### 2.1 Port Pin Definitions

#### 2.1.1 MIC

MIC: PH2.0 /2PIN	
PIN	DEFN
1	MIC-
2	MIC+

#### 2.1.2 Speaker

SPK PH2.0/4PIN	
PIN	DEFN
1	RP
2	RN
3	LN
4	LP

#### 2.1.3 GPIO

GPIO Dupont2.0/2*10PIN			
PIN	DEFN	PIN	DEFN
1	GPIO77	2	GPIO76
3	GPIO75	4	GPIO74
5	GPIO73	6	GPIO72
7	GPIO71	8	GPIO70
9	GPIO-VCC	10	GPIO-GND

#### 2.1.4 GPIO Power Selectio

GPIO Dupont2.0/3PIN			
PIN	DEFN	PIN	DEFN
1	gpio-5V	2	GND
3	gpio-3.3v		



### 2.1.5 AT/ATX Selection

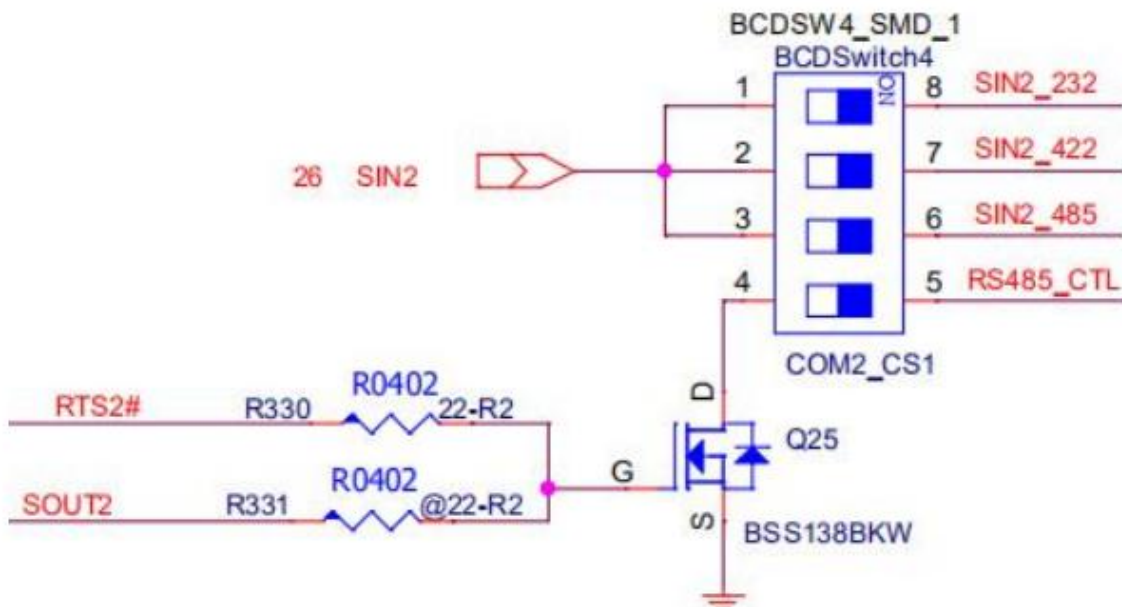
AT/ATX Dupont2.0/3PIN			
PIN	DEFN	PIN	DEFN
1	ATX	2	GND
3	ATX		

### 2.1.6 RS232/RS422/RS485 Switchable Port

JJCOM2 Dupont2.0/2*3PIN			
PIN	DEFN	PIN	DEFN
1	COM2 TX+	2	COM2 TX-
3	COM2 RX+	4	COM2 RX-
5	GND	6	GND

RS422 mode: COM2\_TX+ ,COM2\_TX- ,COM2\_RX+ , COM2\_RX

RS485 mode: RS485+ = COM2\_TX+,RS485- = COM2\_TX-



**A.**When 1/2 ON,3/4 OFF and BIOS COM2 option select RS422, JCOM2 Worked as RS422, meanwhile JCOM2 is disable.

**B.**When 1/2 OFF,3/4 ON and BIOS COM option select RS422, JCOM2 Worked as RS485, meanwhile JCOM2 is disable.

**C.**When 1 ON,2/3/4 OFF and BIOS COM option select RS232, JCOM2 Worked as RS232, this is motherboard default status.

### 2.1.7 JCOM(Full Duplex RS232)

JCOM1 Dupont2.0/2*5PIN			
PIN	DEFN	PIN	DEFN
1	COM1-DCD	2	COM1-RXD
3	COM1-TXD	4	COM1-DTR
5	GND	6	COM1-DSR
7	COM1-RTS	8	COM1-CTS
9	COM1-R1	10	

### 2.1.8 JCOM3 RS232

JCOM3-1 Dupont2.0/2*6PIN			
PIN	DEFN	PIN	DEFN
1	COM3-RX	2	COM4-RX
3	COM3-TX	4	COM4-TX
5	GND	6	GND
7	COM5-RX	8	COM6-RX
9	COM5-TX	10	COM6-TX
11	GND	12	GND

### 2.1.9 FRONT Jumper

FRONT1 Dupont2.0/2*5PIN			
PIN	DEFN	PIN	DEFN
1	HDD-LED+	2	PWR-LED+
3	HDD-LED-	4	PWR-LED-
5	GND	6	PWRSW

7	SYSRST	8	GND
9	BLUP	10	BLDN

### 2.1.10 USB

USB 3/4 Dupont2.0/2*5PIN			
PIN	DEFN	PIN	DEFN
1	VCC	2	VCC
3	-	4	-
5	+	6	+
7	GND	8	GND
9	GND	10	

### 2.1.11 FAN

FAN Port			
PIN	DEFN	PIN	DEFN
1	GND	2	12V
3	FAN-TACH	4	FAN-PWM

### 2.1.12 LVDS Power Selection

JS1 Dupont2.0/2*3PIN			
PIN	DEFN	PIN	DEFN
1	12V	2	GND
3	5V	4	GND
5	3.3V	6	GND

### 2.1.13 LVDS Port

JLVDS1 Dupont2.0/2*15PIN			
PIN	DEFN	PIN	DEFN
1	VCC	2	VCC
3	VCC	4	LVDS-DETECT
5	GND	6	GND
7	D0N	8	D0P
9	D1N	10	D1P

11	D2N	12	D2P
13	GND	14	GND
15	CLK0N	16	CLK1N
17	D3N	18	D3P
19	D4N	20	D4P
21	D5N	22	D5P
23	D6N	24	D6P
25	GND	26	GND
27	CLK1N	28	CLK1P
29	D7N	30	D7P

### LVDS Resolution DIP Switch DEFN

0000→1024x600	1ch/18bit
0001→1024x768	1ch/18bit
0010→800x600	1ch/18bit
0011→1280x800	1ch/18bit
0100→1920x1080	2ch/24bit (Special mode)
0101→1680x1050	2ch/24bit
0110→800x600	1ch/24bit
0111→1024x768	1ch/24bit
1000→1024x600	1ch/24bit
1001→1280x800	1ch/24bit
1010→1920x1080	2ch/18bit
1011→1366x768	1ch/24bit
1100→1920x1200	2ch/24bit
1101→1280x1024	2ch/24bit
1110→1440x900	2ch/24bit
111→1920x1080	2ch/24bit

### 2.1.14 EDPPower Input

<b>JEDP 1 Dupont2.0/2*10PIN</b>			
PIN	DEFN	PIN	DEFN
1	VCC	2	VCC
3	GND	4	GND
5	TX0N	6	TX0P
7	TX1N	8	TX1P
9	TX2N	10	TX2P
11	NC	12	NC
13	GND	14	GND
15	AUXN	16	AUXP
17	GND	18	GND
19	GND	20	HPD

### 2.1.15 SATA POWER

<b>J3 XH2.54/4PIN</b>	
PIN	DEFN
1	5V
2	GND
3	GND
4	12V

### 2.1.16 Backlight

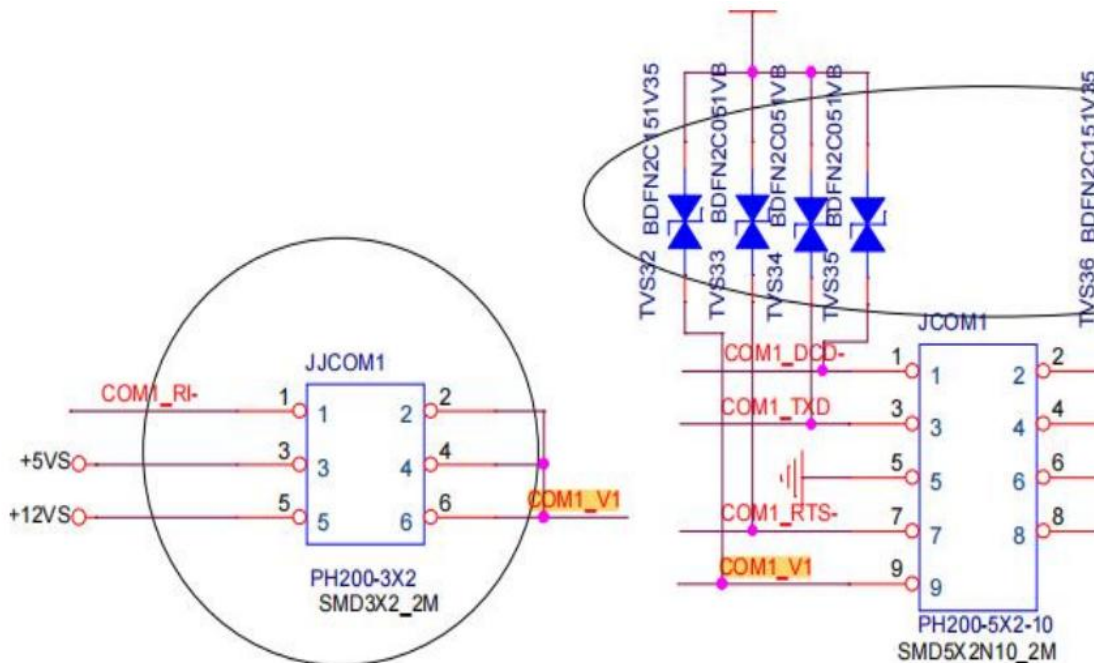
<b>J1NV1 PH2.0/6PIN</b>	
PIN	DEFN
1	GND
2	GND
3	ADJ
4	EN
5	12V
6	12V

JS2 Dupont2.0/3PIN	
PIN	DEFN
1	PWM
2	GND
3	DC

### 2.1.17 Power Supply

DC IN2 XH2.54/4PIN	
PIN	DEFN
1	GND
2	GND
3	VCC(12V-36V)
4	VCC(12V-36V)

### 2.1.18 JJCOM1 (Jumper Cap Chooses JCOM1 Pin9 Functions)





### 2.1.19 JJCOM3 (Jumper Cap Chooses JCOM3 Pin9 Functions)

