

# MIC-730IVA

## 8-ch AI Network Video Recorder Based on NVIDIA® Jetson Xavier™



### Features

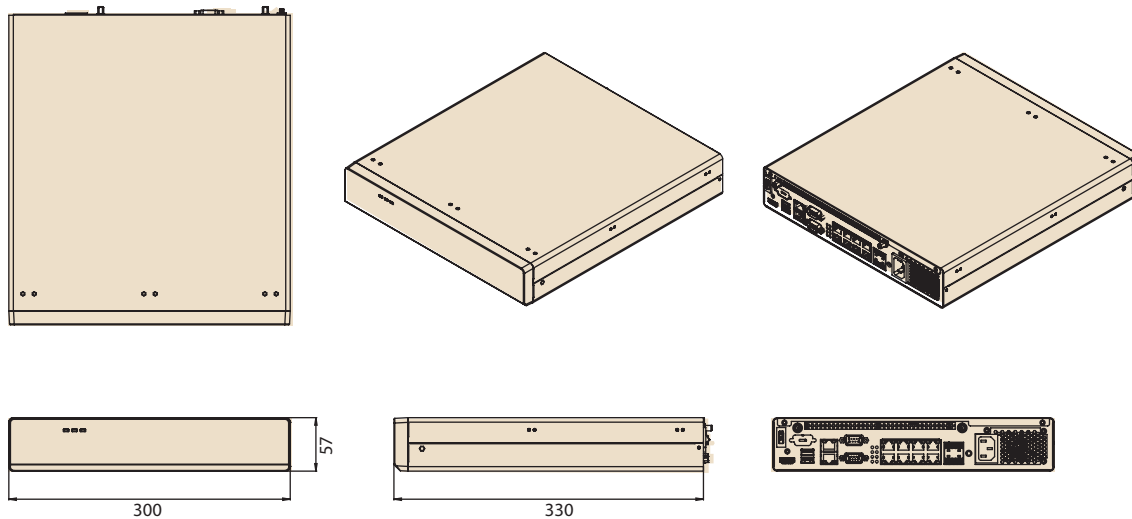
- NVR fan base design
- Embedded with NVIDIA® Jetson AGX Xavier™ up to 32 TOPS
- Supports 8 x PoE (IEEE 802.3af), 2 x GbE 8-ch DIO, 2 x RS232/422/485, 2 x USB 3.0
- Supports 1 x mPCIe, 2 x SATAIII
- Linux OS with board support package (BSP)
- Supports Allxon 24/7 remote monitoring and OTA deployment

### Specifications

		NVIDIA® Jetson AGX Xavier™
Processor System	CPU	8-core NVIDIA Carmel ARM® v8.2 64-bit CPU
	GPU	512-core NVIDIA Volta GPU with 64 Tensor Cores
	Memory	32GB LPDDR4
	Flash	32GB eMMC
I/O	Ethernet	2 x 10/100/1000 Mbps
	PoE	8 x PoE (IEEE 802.3af)
	Display	HDMI (Max. resolution 3840x2160 @ 60Hz)
	USB	External: 2 x USB 3.0 (Type-A) Internal: 1 x USB 2.0 (pin header) 1 x USB 2.0 (Type-A)
	Digital I/O	4-ch DI, 4-ch DO
	Power Switch	1 x Power ON/OFF Switch
	Serial Port	2 x RS232/422/485
	OTG USB	1 x Micro USB
Expansion	Mini PCIe	1 x mPCIe (Signal: PCIe+USB)
	SIM	1 x Nano SIM slot
Storage	Storage	2 x 3.5" or 2 x 2.5" SATAIII (6Gb/s) drives
FAN	Dimension	40 x 40 x 20 mm
	RPM	9000 RPM
Power	Mode	C13, AT/ATX (Default AT)
	Input Voltage	100 ~ 240 V <sub>AC</sub> , 3.5A
Environment	Operating Temperature	0 ~ 50 °C with 0.7 m/s airflow
	Operating Humidity	95% @ 40 °C (non-condensing)
	Vibration	0.5 Grms @ 5 ~ 500 Hz, random, 1 hr/axis
	Shock	10G/11ms
Mechanical	Dimensions (W x D x H)	300 x 330 x 57 mm (11.8" x 13" x 2.24")
	Weight	3 kg (6.6 lb)
	Installation	Desktop
BSP	Jetpack	Above 4.4.1
Certifications		CE/FCC/BSMI (No RED certification)

## Dimensions

Unit: mm



## Ordering Information

Part Number	NVIDIA Jetson	Memory	eMMC
MIC-730IVA-00B1	AGX Xavier	LPDDR4 32G 2133MHz	32GB

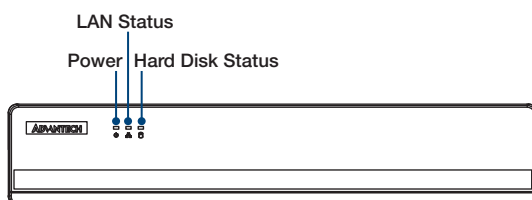
## Packing List

Part Number	Description	Quantity
MIC-730IVA	AI NVR based on NVIDIA Jetson® Xavier	1
1960091140N000	3.5" HDD Bay bracket	2
1700002155-01	HDD SATA Cable	2
1700023619-01	USB Cable	1
1960005359T002	Mounting bracket	2
1990005896S000	Rubber foot pads	4

## Optional Accessory

Part Number	Description
1700027928-01	UL Power core (125V, 15A)
1700027909-02	BSMI Power Core (125V, 15A)
1702002605	EU Power Core (250V, 10A)
989K008734	Module to securely fix two 2.5" HDDs in one 3.5" HDD Bay

## Front View



## Rear View

