

ARK-1222

Intel N97 and x7433RE Quad Core SoC DIN-Rail Fanless Box PC

Preliminary



Features

- Intel N97 and x7433RE Dual Core SoC
- DIN-Rail system with essential I/O ports on front-side bezel
- Dual 4K HDMI Display
- 16GB DDR5 built-in memory
- Support up to 2x GbE, 4x USB, 4x COM, 1x GPIO, 2x CANBus
- Support 1x M.2 B Key, 1x M.2 E Key, 1x full-size mPCIe (share with mSATA slot)
- 12V ~ 28V wide range power input
- Support Windows 10/11 IoT Enterprise LTSC, Ubuntu 24.04
- SUSI API, WISE-DeviceOn, Trellix and Acronis bundled



WISE-DeviceOn SUSI API



Specifications

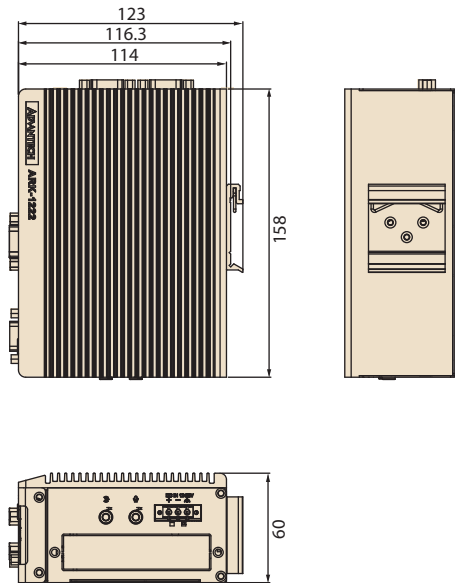
Model Name		ARK-1222-S5A1	ARK-1222-U0A1
Processor System	CPU	Intel Atom x7433RE Quad Core SoC	Intel N97 Quad Core SoC
	Frequency	1.50 GHz	2.0 GHz
	Core Number	4	4
	BIOS	AMI EFI 256 Mbit	
Memory	Technology	DDR5 4800 MHz	
	Max capacity	16GB (16GB Built-in)	
	Socket	1x 262-pin SO-DIMM (for 16GB Built-in)	
Graphics	Chipset	Intel® UHD Graphics	
	HDMI	Up to 4096 x 2160 @ 60 Hz	
	Dual Display	HDMI2.0 + HDMI2.0	
Ethernet	LAN1	10/100/1000/2500 Mbps Intel i226-IT GbE, support Wake On LAN	
	LAN2	10/100/1000/2500 Mbps Intel i226-IT GbE, support Wake On LAN	
Audio	Interface	Realtek ALC888S, High Definition Audio, Mic-in, Line-out	
I/O Interface	Serial Ports	4 x RS-232/422/485 with auto flow control	
	USB Ports	2 x USB3.2 (Gen 2x1), 2 x USB2.0	
	GPIO	8-bit Programmable DIO	
	Optional CANbus	2 x DB9 (by optional cables, cannot coexist with iDoor)	
Expansion	Mini PCIe	1 x Full-size mPCIe	
	M.2	1 x M.2 Key E 2230 (PCIe x1, USB2.0) and 1 x M.2 Key B 2280 (PCIe x2, USB3) with nano SIM holder #1	
Storage	NVMe	1 x M.2 Key B 2280	
	mSATA	1 x Full-size mSATA (*share with mPCIe slot)	
Other	WatchDog Timer	255 levels timer interval, setup by software	
	TPM	TPM 2.0 (NPCT764AABYX)	
Software Support	Microsoft Windows	Windows 10/11 Enterprise	
	Linux	Ubuntu 24.04	
Power Requirement	Power Type	ATX/AT	
	Power Input Voltage	12 ~ 28 V _{DC}	
	Power Adaptor	AC to DC, 90W (Optional)	
Power Consumption	Typical	11.11W	12.95W
	Max.	29.3W	32.8W
Mechanical	Construction	Aluminum housing	
	Mounting	DIN-rail/Wall Mount (Optional)	
	Dimensions (W x H x D)	60 x 158 x 114 mm (2.34" x 6.22" x 4.49")	
	Weight	0.94 kg (2.07lb)	
Environment	Operating Temperature	With extended temp. peripherals: -40 ~ 70 °C (-40 ~ 158 °F) with 0.7 m/s air flow	-20 to 60 °C (-4 ~ 140 °F) with 0.7 m/s air flow
	Storage Temperature	-40 ~ 85 °C (-40 ~ 185 °F)	
	Relative Humidity	95% @ 40 °C (non-condensing)	
	Vibration during Operation	3 Grms, IEC60068-2-64, random, 5-500 Hz, 1hr/axis (with Wall Mount)	
	Shock during Operation	30 G, IEC-60068-2-27, half sine, 11 ms duration (with Wall Mount)	
	EMC	CE/FCC Class B, CCC, BSMI, UKCA	
	Safety	UL, CB, CCC and BSMI, UKCA	

#1 SIM holder and M.2 slot are hardware interfaces for wireless communication integration only. System level RF certification is not available.
M.2 B key requires additional mechanical parts to fix for sizes other than 2280 (Please see Optional Items).

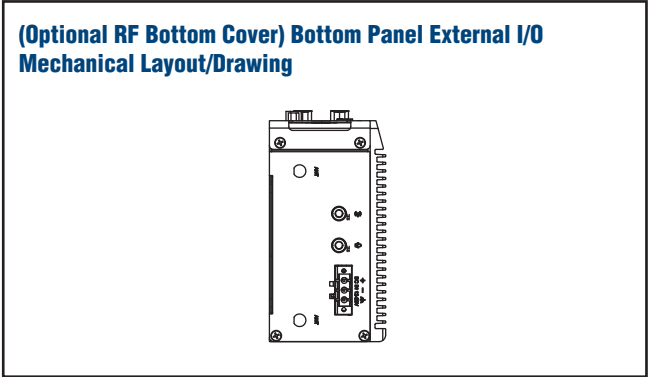
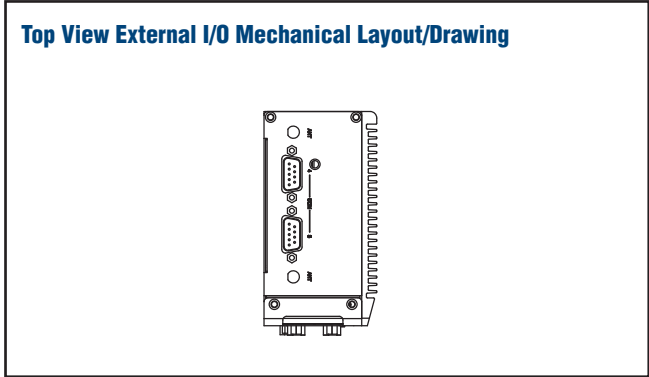
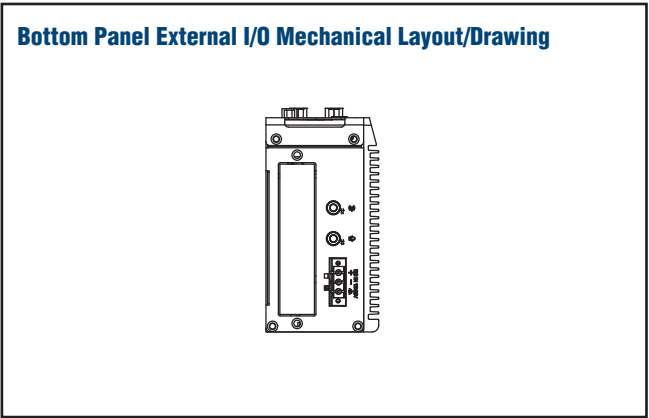
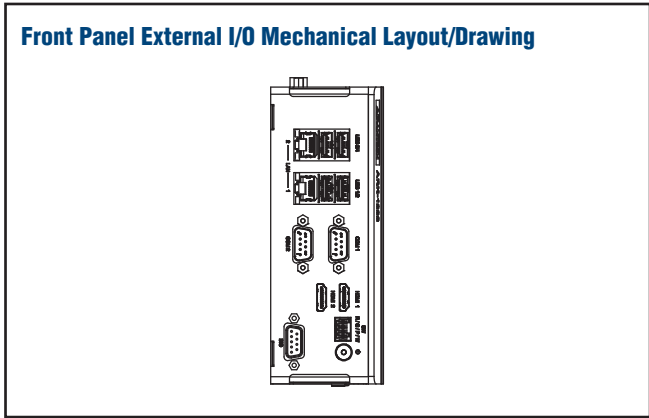
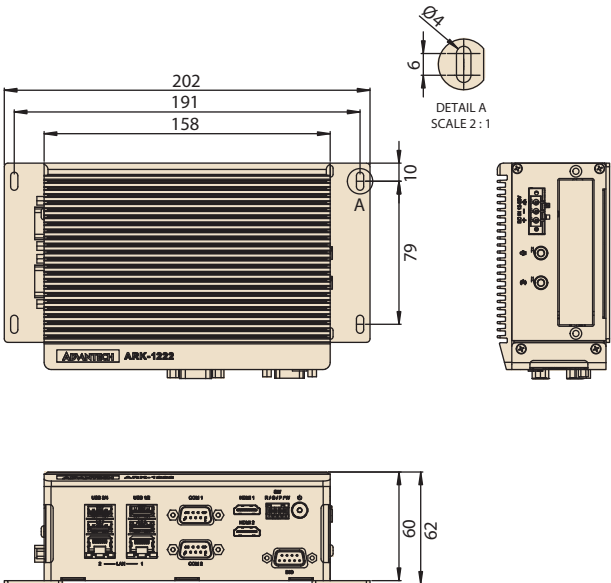
Dimensions

Unit: mm

DIN Rail



Wall Mount



Ordering Information

Part No.	CPU	RAM	HDMI	LAN	COM	USB	M.2 B	M.2 E	GPIO	Audio	SIM	Full-size MiniPCIe	Operating Temp.	Made in
ARK-1222-S5A1	Intel Atom® x7433RE	16 GB Built-in	2	2	4	2 x USB 3.2 2 x USB 2.0	1	1	1	Mic in and Line out	1	1 (shared with mSATA)	-40 – 70° C	China
ARK-1222-U0A1	Intel® Processor N97	16 GB Built-in	2	2	4	2 x USB 3.2 4 x USB 2.0	1	1	1	Mic in and Line out	1	1 (shared with mSATA)	-20 – 60° C	China
ARK-1222-S5A1U	Intel Atom® x7433RE	16 GB Built-in	2	2	4	2 x USB 3.2 4 x USB 2.0	1	1	1	Mic in and Line out	1	1 (shared with mSATA)	-40 – 70° C	Taiwan
ARK-1222-U0A1U	Intel® Processor N97	16 GB Built-in	2	2	4	2 x USB 3.2 4 x USB 2.0	1	1	1	Mic in and Line out	1	1 (shared with mSATA)	-20 – 60° C	Taiwan

Note: Storage and operating system bundled by request.

Packing List

Part Number	Description
-	1 x ARK-1222 Unit
-	1 x User Manual (Simplified Chinese)
1950016395T101	1 x DIN-rail bracket
1652004519	1 x 3-pin plug-in block for power in
1652007880-01	1 x 4-pin terminal block for switch

Embedded OS

Part Number	Description
20706WLE1S0073	Win 11 IoT Ent 2024 LTSC ARK-1222 64b 24H2 ENU
TBD	Ubuntu 24.04

Optional Items

Part Number	Description
XARK-ADP-90MDH	AC to DC adaptor , 19V/90W
1700001524	Power Cable 3-pin 180cm, USA type
170203183C	Power Cable 3-pin 180cm, Europe type
170203180A	Power Cable 3-pin 180cm, UK type
1700008921	Power Cable 3-pin
1960103315N020	M.2 2242 Extension Bracket
1960103315N010	M.2 3052 Extension Bracket
AMK-W007	ARK-1222 Wall mount kit
AMK-W008	ARK-1222 1 port CANBus Kit
AMK-W009	ARK-1222 2 port CANBus Kit

Optional MOS modules for iDoor

Part Number	Description
MOS-2120-Z1101E	Giga LAN Ethernet module, 1-Ch, PCIe I/F,
MOS-1130Y-0202	Isolated CANBus, 2-Ch, DB9, PCIe I/F
MOS-1110Y-0101E	Isolated 16 DI/8 DO, 1-Ch, DB37, PCIe I/F
MOS-2120-Z1201	Dual Intel I210 GbE LAN iDoor, 2-Ch, PCIe I/F
MOS-1120Y-0202E	Isolated RS-232, 2-Ports, DB9, PCIe I/F
MOS-1120Y-1402E	Non-Isolated RS-232, 4-Ports, DB37, PCIe I/F
MOS-2110Z-1201E	USB module, 2-Ch, PCIe I/F